



The number one high-security **KNOX-BOX®** is used for most commercial applications including businesses, schools, government and public buildings, community associations and apartment complexes. The **3200 Series KNOX-BOX** holds keys, access cards and other small items necessary for emergency access.

The new hinged-door 3200 Series KNOX-BOX is more convenient than the lift-off door version because it allows single-handed operation and opened or closed, it's all one unit.

Features and Benefits

- Holds up to 10 keys or access cards in interior compartment
- Ensures high security with UL Listed Medeco lock
- Includes a TGIC polyester powder coat finish for extended protection
- Resists moist conditions with a weather resistant door gasket
- Hinged door allows single-handed operation
- Colors: Black, dark bronze or aluminum
- Weight: Surface mount - 8 lbs.
Recessed mount - 9 lbs.

Options

- Alarm tamper switches (UL Listed)
- Additional rust and corrosion protection (Aluminization)
- Recessed Mounting Kit (RMK) for recessed models only

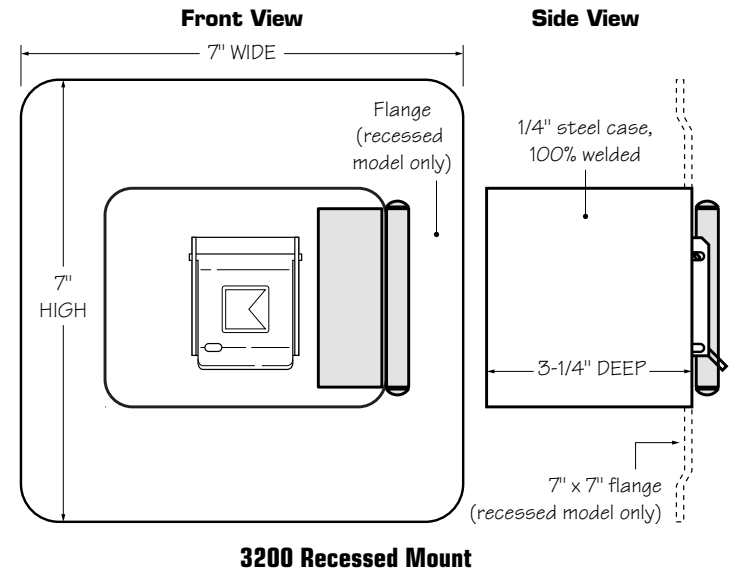
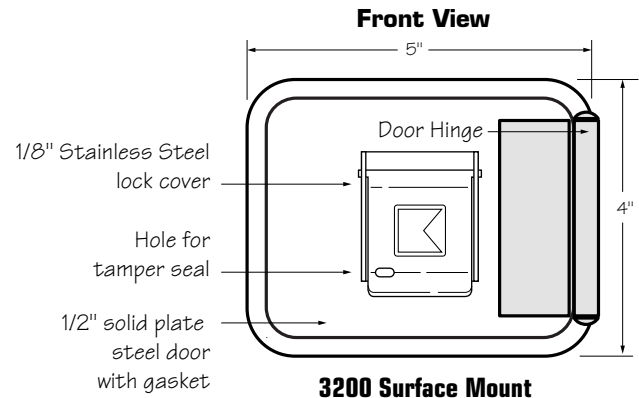


KNOX-BOX

3200 Series

with Hinged Door

High Security Commercial Key Box



Order Specifications

To insure procurement and delivery of the 3200 Series KNOX-BOX with Hinged Door, it is suggested that the following specification paragraph be used:

KNOX-BOX surface/recessed mount with hinged door, with/without UL Listed tamper switches. 1/4" plate steel housing, 1/2" thick steel door with interior gasket seal. Box and lock UL Listed. Lock has 1/8" dust cover with tamper seal mounting capability.

Exterior Dimensions: Surface mount - 4"H x 5"W x 3-1/4"D

Recessed mount - 7"H x 7"W x 3-1/4"D

Lock: UL Listed. Double-action rotating tumblers and hardened steel pins accessed by a biased cut key.

Finish: Pre-treatment - Zinc-phosphate to Federal Standard TTC 490 Type II

Final Coating - weather resistant interior and exterior TGIC polyester powder coat

Finish Color - Black, Dark Bronze or Aluminum

P/N: 3200 Series KNOX-BOX (mfr's cat. ID)

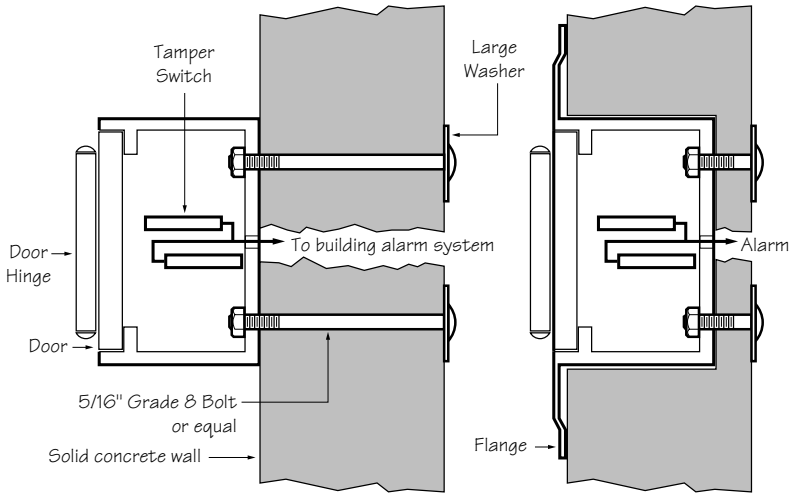
Mfr's Name: **KNOX COMPANY**





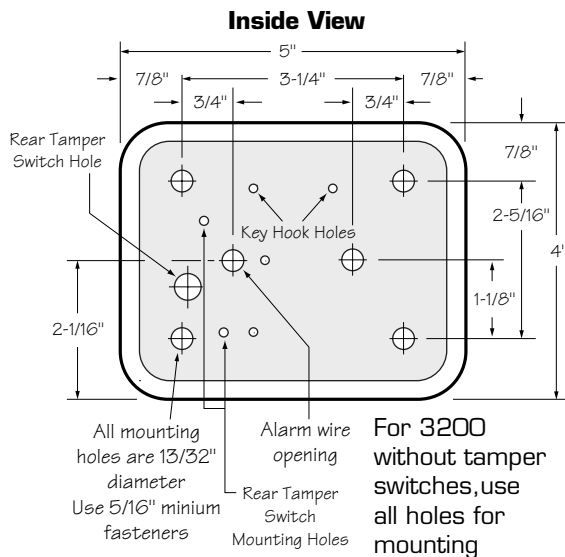
KNOX-BOX 3200 Series with Hinged Door Mounting Diagrams

**Suggested minimum mounting height
6 feet above ground**



**Series 3200 Hinged Door
Surface Mounted**

**Series 3200 Hinged Door
Recess Mounted**



Knox Rapid Entry System

The Knox Company manufactures a complete line of high security products including Knox-Boxes, key vaults, armored cabinets, key switches, padlocks, locking FDC caps, the Knox-Scan infrared heat sensor, and an electronic master key security system. For more information or technical assistance, please call Customer Service at 1-800-552-5669.

Recessed Mounting Kit

The 3200 Recessed Mounting Kit (RMK) is used for recessed models only. It contains a shell housing and mounting hardware to be cast-in-place in new concrete or masonry construction. After construction is completed, the KNOX-BOX mounts inside the recessed shell housing. The RMK may only be used in new concrete or masonry construction.

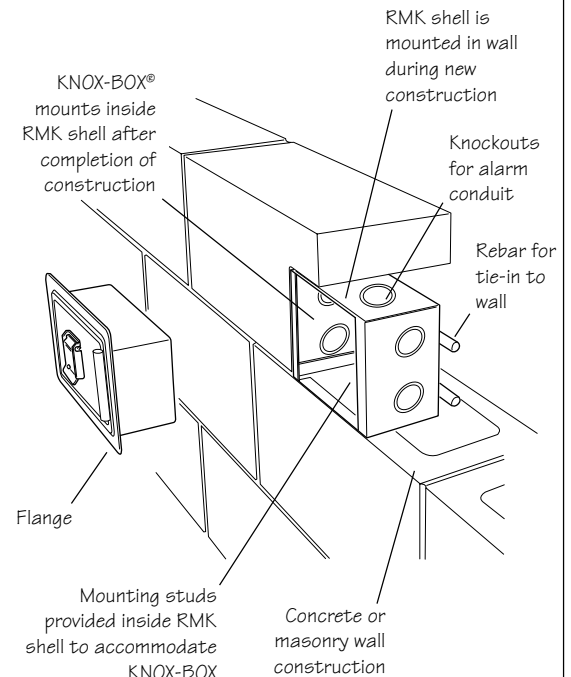
Installation

Fasten the mounting kit to the inside wall of a concrete form or set-in-place during masonry wall construction. Connect the wiring conduit through one of several knockout holes in the shell housing.

Dimensions

6-1/8" H x 6" W x 5" D, including Rebar

IMPORTANT: Care should be taken to insure that the front of the RMK shell housing, including the cover plate and screw heads, is flush with the finish wall. The RMK must be plumbed to insure vertical alignment of the vault.



© copyright 2001. Knox Company



S40-0001-H 01/01